

CT

1 2 3 4 5 6 7 8

A

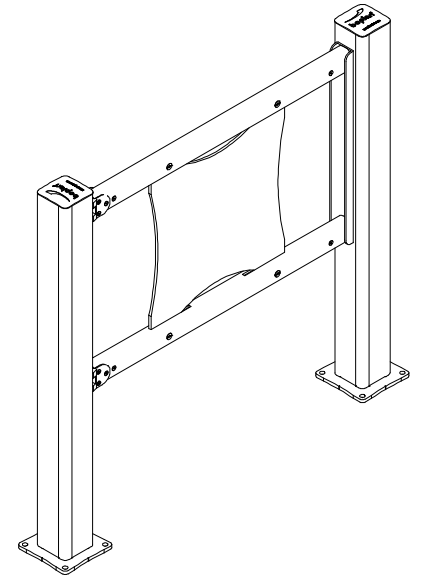
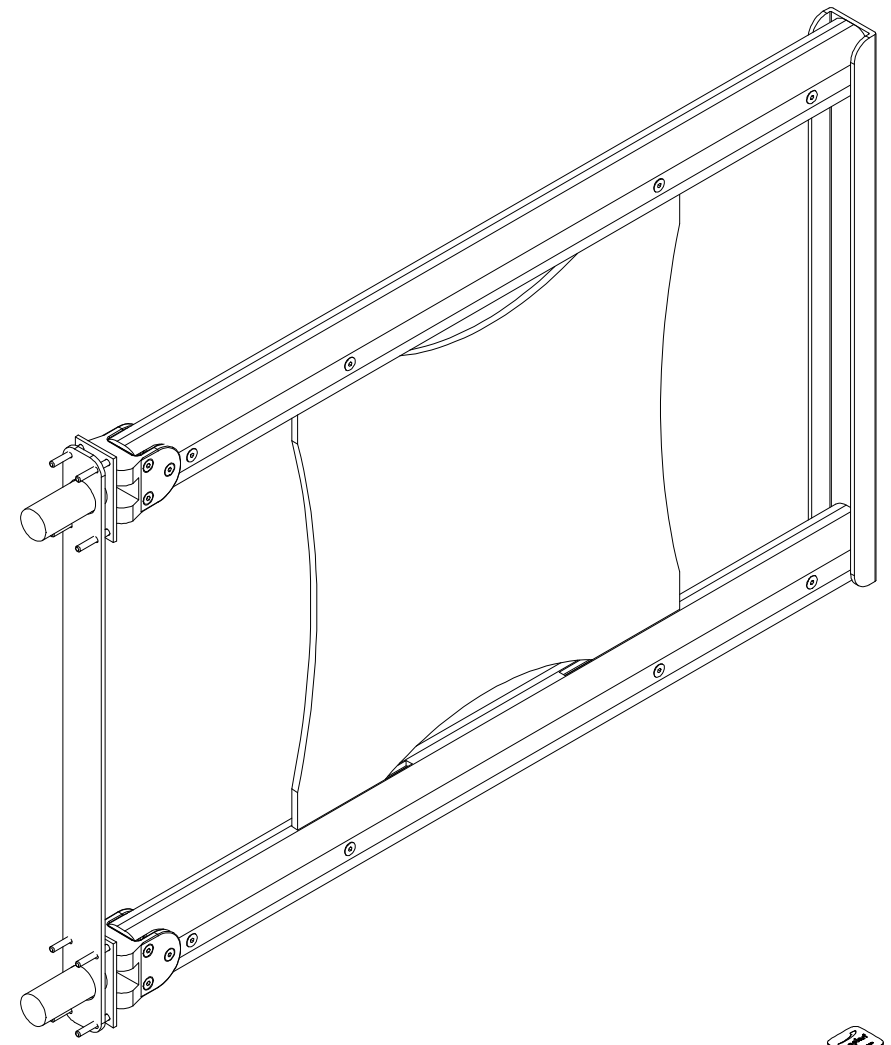
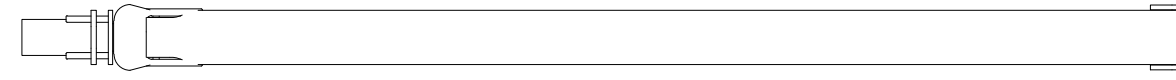
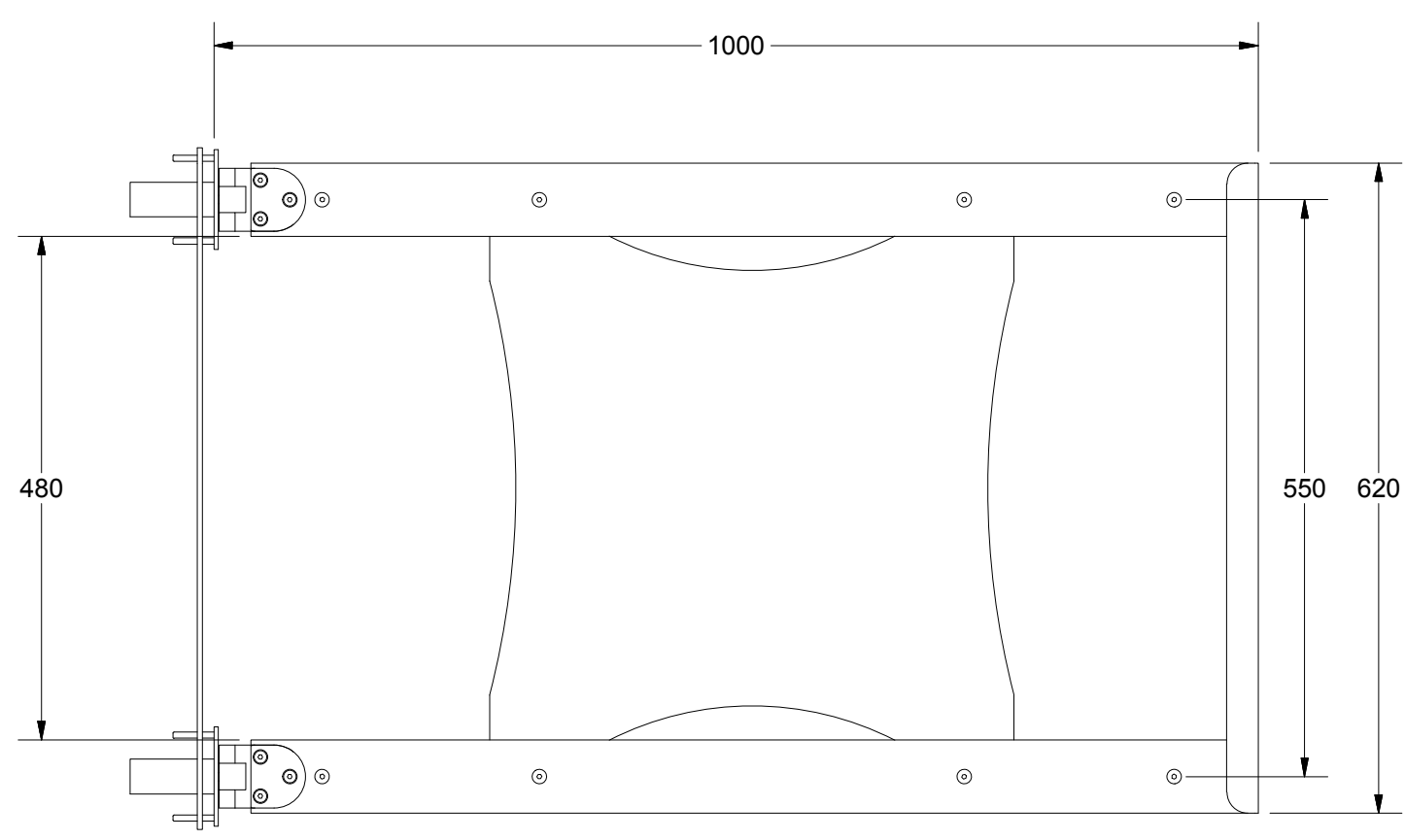
B

C

D

E

F



A

B

C

D

E

F

Safety Gate SW fix post - 1000mm B-Y (excl. post)			Ref: SG1010/1100	
projection 	scale 1/7	format A3	Maingroup : IM	Subgroup : SG
		Tolerance		Linear (unless noted) - +/-1mm
				Angular (Unless noted) - +/-1°
				Radius (Unless noted) - 0.5
			Date: 16/08/2017	
			SHEET: 1	

1 2 3 4 5 6 7 8